



**John
BOOS**
Since 1887

ITEM #: _____ QTY: _____
 MODEL #: _____
 PROJECT NAME: _____

090618

3601 S. Banker St. Effingham, IL 62401 • P.O. BOX 609 • Ph: (888) 431-2667 • Fax: (800) 433-2667

"1B-2D" "B-SERIES" SINKS



FEATURES:

- 16GA STAINLESS STEEL
- TYPE 300 STAINLESS STEEL WITH #4 POLISH, SATIN FINISH
- 14" DEEP BOWLS
- ALL CORNERS, BOTH VERTICAL AND HORIZONTAL, COVERED AT 3/4" RADIUS
- BOTTOMS OF BOWLS FORMED FOR DRAINAGE TO 3-1/2" DIAMETER DIE STAMPED OPENING
- FULL LENGTH **10" HIGH BOXED BACKSPLASH**, WITH 2" RETURN TO WALL AT 45 DEGREE AND 1" TURNED DOWN REAR LIP
- 1" FAUCET HOLES IN BACKSPLASH
- ALL OUTSIDE CORNERS OF ASSEMBLY ARE BULLNOSED TO PROVIDE SAFE, CLEAN, AND POLISHED EDGE
- STANDARD STAINLESS STEEL LEGS 1-5/8" DIAMETER

CONSTRUCTION:

- TOP: STAINLESS STEEL SINKS ARE TIG WELDED, EXPOSED WELDS ARE POLISHED TO MATCH ADJACENT SURFACE
- BASE: STAINLESS STEEL BASES ARE MIG WELDED

MATERIAL:

- BOWLS & TOP: 16GA TYPE 300 STAINLESS STEEL WITH #4 POLISH, SATIN FINISH
- LEGS: 1-5/8" ROUND O.D. STAINLESS STEEL
- BRACING: 1-1/4" ROUND O.D. STAINLESS STEEL
- GUSSETS: STAINLESS STEEL
- FEET: 1" ADJUSTABLE STAINLESS STEEL BULLET FEET

STANDARD 16GA "2B" SINK

| MODEL | QTY |
|--------------|-----|
| 1B16204-2D18 | |
| 1B184-2D18 | |
| 1B18244-2D18 | |
| 1B18244-2D24 | |
| 1B244-2D24 | |

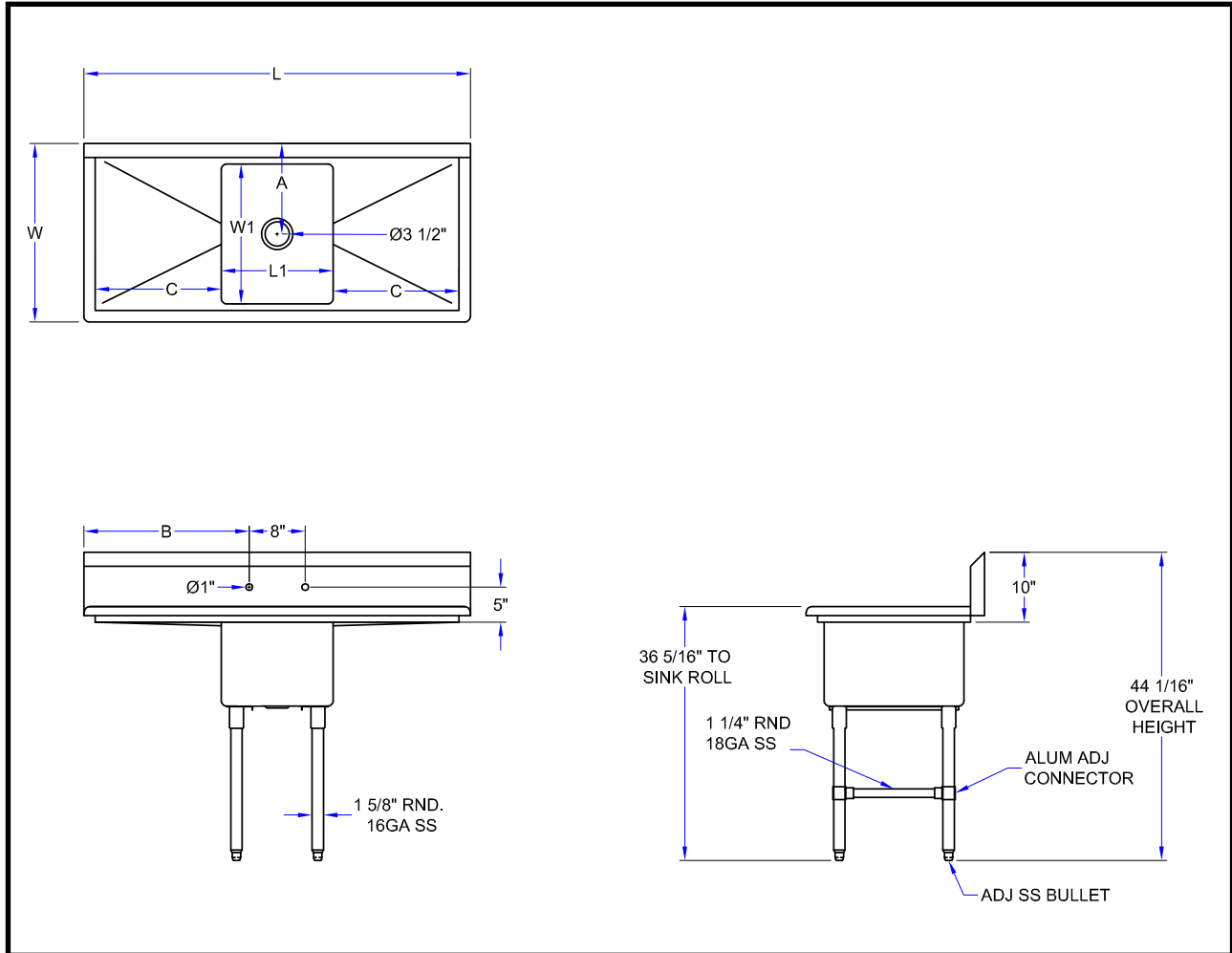
OPTIONAL ACCESSORIES

| DESCRIPTION | QTY |
|-----------------|-----|
| FAUCETS | |
| ADD-A-FAUCETS | |
| PRE-RINSE UNITS | |
| LEVEL WASTE | |
| OVERSHELVES | |
| POT RACK | |



1B18244-2D18

DETAILED SPECIFICATIONS



16GA - "1B-2D" "B-SERIES" SINK

| 14" DEEP | L | W | L1 | W1 | A | B | C |
|--------------|---------|---------|-----|-----|-----------|---------|-----|
| 1B16204-2D18 | 55-1/4" | 25-1/2" | 16" | 20" | 12-15/16" | 23-5/8" | 18" |
| 1B184-2D18 | 57-1/4" | 23-1/2" | 18" | 18" | 11-15/16" | 24-5/8" | 18" |
| 1B18244-2D18 | 57-1/4" | 29-1/2" | 18" | 24" | 14-15/16" | 24-5/8" | 18" |
| 1B18244-2D24 | 69-1/4" | 29-1/2" | 18" | 24" | 14-15/16" | 30-5/8" | 24" |
| 1B244-2D24 | 75-1/4" | 29-1/2" | 24" | 24" | 14-15/16" | 33-5/8" | 24" |

SOME UNITS SHIP UNASSEMBLED FOR REDUCED SHIPPING COST. ALL DIMENSIONS ARE TYPICAL. TOLERANCE +/- .500"

John Boos & Co. is constantly engaged in a program of improving products and therefore reserves the right to change specifications without prior notice.



Boos
lock

AQ AutoQuotes

3601 S. Banker St. • Effingham, IL 62401 • PO BOX 609 • quotes@johnboos.com

www.johnboos.com

090618

135